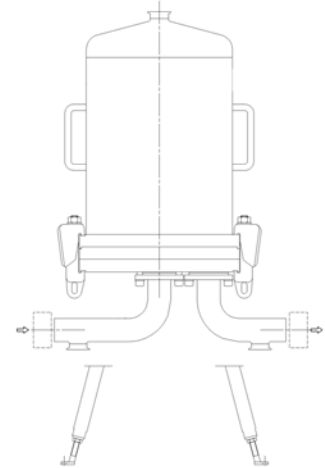




# VFLCE

## Sanitary Liquid Housings

- Very high quality crevice free construction
- Internal mechanical polish to 0.8µm Ra and electropolished
- Rathmann style screw clamp body closure as standard for additional security
- Steam sterilisable
- Hygienic 'O' Ring body seal design
- Split base with flush 'O' Ring design
- Wide range of industry standard connections
- Sanitary tri-clamp vent & drain as standard
- Standard 'C' style cartridge location



## Product Information

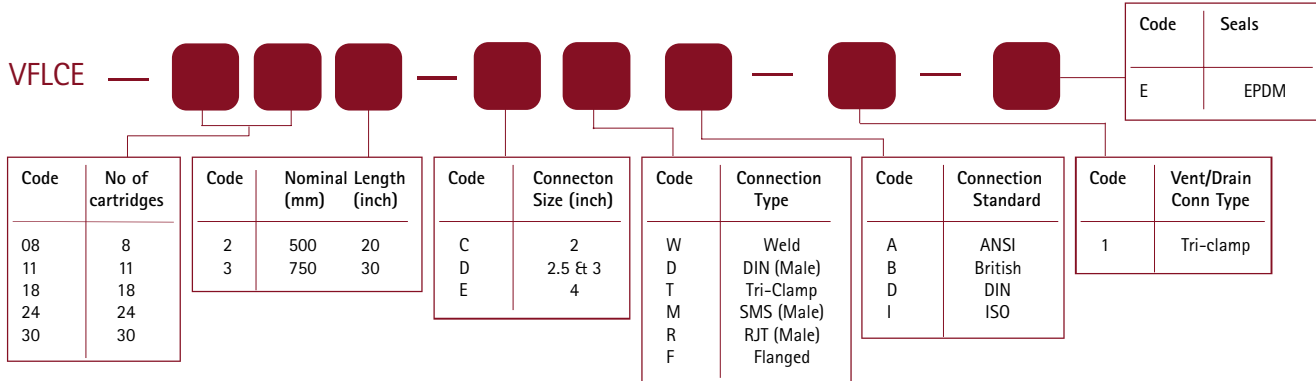
An extensive range of sanitary multi-element liquid filter housings for critical applications in the beverage industry and in high purity water systems. Manufactured in 316L stainless steel with a crevice free design and electropolished internal finish. Designed to be steam sterilised and sanitised using standard procedures. domnick hunter's custom design service is available for the design and fabrication of housings to meet all process requirements.

## Product Specification

housing	316L stainless steel	design code
seals	silicone	
surface finish	internal : mechanical polish Ra <0.8µm external : mechanically polished	
max. allowable working pressure (MAWP) PS	<small>Quoted values are for "dangerous liquid" only. Values for other fluid types available on request.</small> 8 bar g (116 psig) @ 40°C (104°F)	
max. allowable working temperature (MAWT) TS	150°C (302°F) @ 6.2 bar g (89.9 psig)	housings designed in accordance with the European Council Pressure Equipment Directive (PED) 97/23/EC and the UK statutory pressure equipment regulations (PER) 1999 N° 2001.

Selection

VFLCE Multis



**FLOW TECH**  
CORPORATION

269.375.1290  
7601 Stadium Drive Kalamazoo, MI 49009

[www.flowtechfilters.com](http://www.flowtechfilters.com)



domnick hunter limited has a continuous policy of product development and although the Company reserves the right to change specification, it attempts to keep customers informed of any alterations. This publication is for general information only and customers are requested to contact our Process Filtration Sales Department for detailed information and advice on a products suitability for specific applications. All products are sold subject to the company's Standard conditions of sale.

Copyright domnick hunter limited 2004  
Publication Reference: PD67/04/04 Rev 1A  
Stock N°.: 17 950 4467