



IJ DEMICAP

Liquid Filters

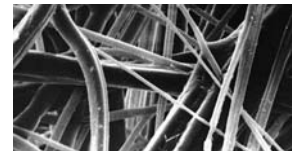
Absolute retention ratings in the range of 0.6 to 25µm

Pleated media for high flow rates and long life

Graded density for excellent particle retention

Enhanced solvent resistant, all polypropylene construction

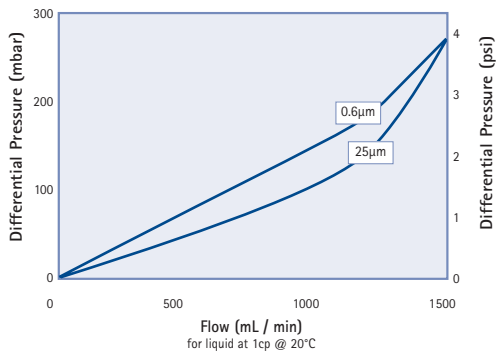
Self-venting and mountable in any orientation



Product Information

The IJ DEMICAP is a compact disposable capsule filter designed for low flow and high pressure applications. Its design and construction make it ideal for a wide range of applications including protection of the print head in water - and solvent - based industrial inkjet printers. The capsule minimises hold-up volume, is self venting and can be mounted in any orientation enabling it to be fitted into restricted spaces. The IJ DEMICAP is fitted with industry standard 6mm connections, oriented in the same direction to facilitate clean change-out. Other connections are available on request.

Clean Water Flow Rate



Materials of Construction

All wetted parts are polypropylene. The capsule is supplied with protective polyethylene dust caps.

Maximum Recommended Continuous Operating Temperature

50°C (122°F)

Maximum Differential Pressure

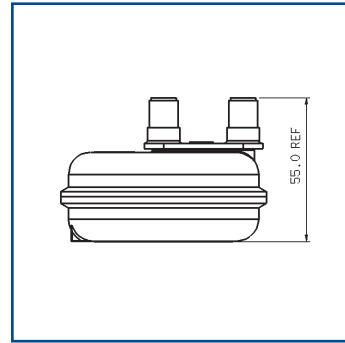
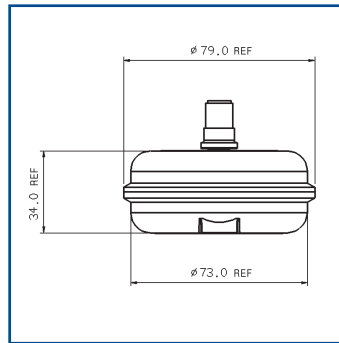
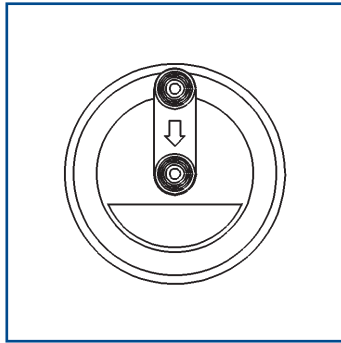
6.5 barg (94 psig) at 50°C (122°F)

Typical Operational Lifetime

1000 hours

Dimensions and Connections

Connections suit 1/4 inch and 6 mm Jaco fittings



Note: During installation, the IJ DEMICAP should be oriented with the inlet and outlet connections uppermost until all air has been vented from the capsule.

FLOW TECH
CORPORATION

269.375.1290
7601 Stadium Drive Kalamazoo, MI 49009

www.flowtechfilters.com

Three icons are displayed in a row: a diamond-shaped filter media icon, a laboratory flask icon, and a gear icon.

DEMICAP is a registered trademark of domnick hunter limited

